



**Food Processor
Cutter mixer 2.6 lt with transparent
copolyester bowl 1500 rpm -
Australia**

ITEM # _____

MODEL # _____

NAME # _____

SIS # _____

AIA # _____



602217 (DK26PAU)

Cutter mixer 2.6 lt with transparent copolyester bowl 1500 rpm - Australia

Short Form Specification

Item No. _____

Table top cutter mixer. 2,6 litres, transparent copolyester bowl with scraper and central feed hole for adding products in mid-cycle. Transparent copolyester lid. Microtoothed blade rotor. Angled blades and conical base of the bowl ensure consistent mixing. All ingredients are processed evenly and quickly thanks to a special flow generated inside the bowl. No-volt release system prevents accidental start of the appliance. All parts in contact with food are removable and Dishwasher safe. Waterproof, easy to clean, flat, soft-touch buttons. Single speed 1500 rpm with on/pulse/off function for simple operations.

Main Features

- Tabletop cutter mixer and emulsifier allowing fast chopping, mixing, mincing, griding, liquidizing and kneading.
- Includes 2,6 liter, transparent bowl with micro-toothed blades rotor.
- Bowl/lid scraper included for uniform smooth results (emulsifying) and continuous working.
- Transparent lid, with funnel shaped hole, to add ingredients during use.
- All ingredients are processed evenly and quickly thanks to a special movement generated inside the bowl.
- Easy to clean and waterproof control panel with flat on/off button and pulse function.
- Pulse function for coarse chopping.
- All parts in contact with food are removable without the use of tools, completely dismountable and dishwasher safe.
- Productivity up to 50 settings per service.

Construction

- Food safety assured in accordance to European directives and UK legislation. In addition, materials in contact with food, are BPA-free.
- Product safety conform to European directives, UK legislation and international health and safety standards.
- 1 speed: 1.500 rpm.
- Power: 500 Watts.
- Bowl in BPA-free, transparent copolyester.
- Micro-toothed blades in 420 AISI stainless steel and ergonomic scraper in resistant composite material to ensure consistent mixing.
- compact design, easy to move and store.
- IPX5 (IP55) waterproof, flat, touch-control panel.
- Main switch ON/OFF on the back of the appliance.
- Asynchronous industrial motor with no brushes for high reliability and quiet functioning, stainless steel motor shaft.

Included Accessories

- 1 of TRANSPARENT LID FOR 2,6LT CUTTER MIXER BOWL PNC 650117
- 1 of MICROTOOTHED BLADE ROTOR FOR 2.6LT CUTTER MIXER PNC 650226

APPROVAL: _____



Food Processor Cutter mixer 2.6 lt with transparent copolyester bowl 1500 rpm - Australia

- 1 of TRANSPARENT COPOLYESTER PNC 650229
BOWL FOR 2,6 LT CUTTER MIXER
- 1 of SCRAPER FOR 2.6LT CUTTER PNC 650230
MIXER BOWL

Optional Accessories

- TRANSPARENT LID FOR 2,6LT PNC 650117
CUTTER MIXER BOWL
- TRANSPARENT LID (WITHOUT PNC 650118
SEALING) FOR 3,6LT CUTTER
MIXER BOWL
- MICROTOOTHED BLADE ROTOR PNC 650226
FOR 2.6LT CUTTER MIXER
- SMOOTH BLADE ROTOR FOR PNC 650227
2.6LT CUTTER MIXER
- STAINLESS STEEL BOWL FOR 2,6 PNC 650228
LT CUTTER MIXER
- TRANSPARENT COPOLYESTER PNC 650229
BOWL FOR 2,6 LT CUTTER MIXER
- SCRAPER FOR 2.6LT CUTTER PNC 650230
MIXER BOWL
- STAINLESS STEEL BOWL FOR PNC 650231
2,6LT CUTTER MIXER,
MICROTOOTHED ROTOR, LID
WITH SCRAPER
- MICROTOOTHED BLADE ROTOR PNC 650233
FOR 3.6LT CUTTER MIXER
- SMOOTH BLADE ROTOR FOR PNC 650234
3.6LT CUTTER MIXER
- STAINLESS STEEL BOWL FOR PNC 650235
3.6LT CUTTER MIXER
- SCRAPER FOR 3.6LT CUTTER PNC 650236
BOWL
- TRANSPARENT BOWL FOR 2,6LT PNC 650245
CUTTER MIXER, MICROTOOTHED
ROTOR, LID WITH SCRAPER



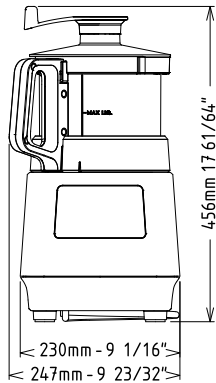
Food Processor
Cutter mixer 2.6 lt with transparent copolyester bowl 1500 rpm -
Australia
The company reserves the right to make modifications to the products
without prior notice. All information correct at time of printing.

2026.06.16

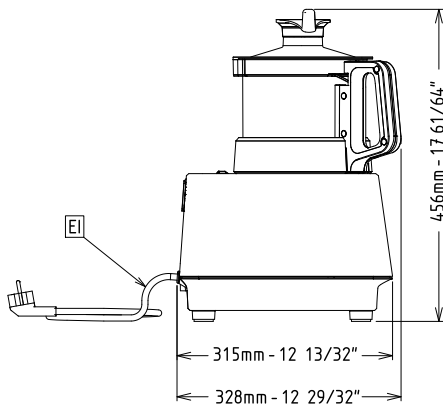


Food Processor Cutter mixer 2.6 lt with transparent copolyester bowl 1500 rpm - Australia

Front

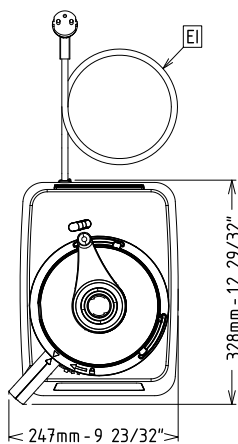


Side



EI = Electrical inlet
(power)

Top



Electric

Supply voltage: 220-240 V/1N ph/50 Hz
Electrical power max.: 0.5 kW
Total Watts: 0.5 kW

Capacity:

Performance (up to): 0 kg/Cycle
Capacity: 2.6 litres

Key Information:

External dimensions, Width: 247 mm
External dimensions, Depth: 328 mm
External dimensions, Height: 456 mm
Shipping weight: 17.3 kg
Net weight (kg): 12.7
Cold water paste:
Egg whites:



Food Processor
Cutter mixer 2.6 lt with transparent copolyester bowl 1500 rpm -
Australia
The company reserves the right to make modifications to the products
without prior notice. All information correct at time of printing.

2026.06.16